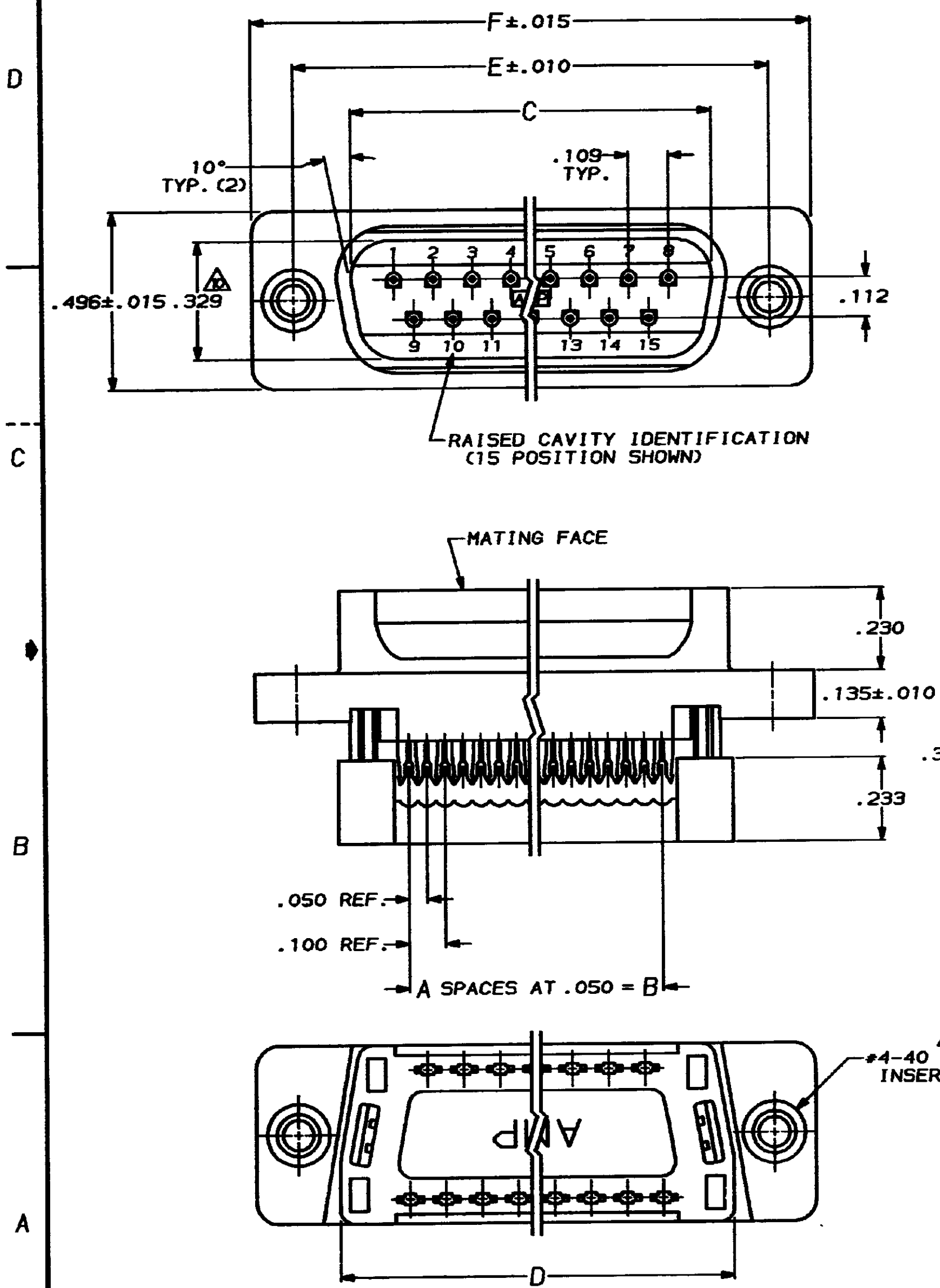


DRAWING MADE IN THIRD ANGLE PROJECTION  
 THIS DRAWING IS UNPUBLISHED. RELEASED FOR PUBLICATION  
 © COPYRIGHT 19 BY AMP INCORPORATED, HARRISBURG, PA. ALL INTERNATIONAL RIGHTS RESERVED. AMP PRODUCTS MAY BE COVERED BY U. S. AND FOREIGN PATENTS AND/OR PATENTS PENDING.

		REVISIONS			MOD	LOC	DIST
P	F	ZONE	LTR	DESCRIPTION	DATE	APPROVED	
			0	REV PER ECN 0520	J.P.	10-10-81	
			A	REV PER ECN BD2622		2-10-82	JS
			B	REV PER ECN BD4356		02/28/82	JS



- CONNECTORS COMPLY WITH AMP SPEC. 108-40,012 AND MATE WITH ANY SAME NUMBER POSITION PLUG CONNECTOR IN AMPLIMITE SERIES.
  - CONNECTOR DESIGNED FOR 28 AND 26 AWG STRANDED AND SOLID CONDUCTOR RIBBON CABLE ON .050¢.
- △ DIMENSION APPLIES TO TERMINATED CONNECTOR.
  - △ INSERTS WILL WITHSTAND 6 IN. LBS. TORQUE AND 50 LBS. PULL OUT FORCE FROM MATING FACE SIDE.
  - △ MOLDED PARTS, FLAME RETARDANT 94V-0 RATED THERMOPLASTIC, COLOR: BLACK.
  - △ PHOS. BRONZE PER QQ-B-750.
  - △ BRASS PER MIL-C-50.
  - △ GOLD PLATING PER MIL-G-45204, BRIGHT TIN PLATING PER MIL-T-10727 (NOT TIN LEAD), NICKEL PLATING PER QQ-N-290.
  - △ .000030 GOLD ON MATING END, .000100-.000200 BRIGHT TIN OR BRIGHT TIN LEAD ON TERMINATION END, ALL OVER .000050 NICKEL ON ENTIRE CONTACT.
  - △ DIMENSION APPLIES TO BASE OF SHROUD.
  - △ ADVANCED PART NUMBER, NOT PRODUCTION TOOLED.

△ 1.764	1.526	1.287	1.140	.900	18	19	747053-5
1.216	.984	.759	.666	.400	8	9	747053-4
1.541	1.312	1.087	.994	.700	14	15	747053-3
2.090	1.852	1.623	1.534	1.200	24	25	747053-2
2.732	2.500	2.275	2.183	1.800	36	37	747053-1
F	E	D	C	B	A	NO. OF POS.	PART NUMBER

UNLESS OTHERWISE SPECIFIED DIMENSIONS ARE IN INCHES. TOLERANCES ON: DECIMALS ± .005 ANGLES ± 2°	CONTRACT NO	AMP   AMP INCORPORATED Harrisburg, Pa.	
	DR J. GERACE 11-1-82	NAME	
MATERIAL MOLDED PARTS: △ CONTACTS: △ INSERTS: △	CHK J. GERACE 11-1-82	PLUG ASSEMBLY, LOW PROFILE HDF, W/ PREASSEMBLED COVER & THREADED INSERTS	
	APPD R. LEGGETT 11-5-82	SIZE	
FINISH CONTACTS: △ INSERTS: UNPLATED	APPD E. GILL 11-8-82	FSCN NO	DRAWING NO
	DESIGN APPD	C 00779	747053
OTHER APPD	SCALE	SHEET 1 OF 1	

CUSTOMER DRAWING

747053